

First Texas Products, L.L.C.

**1-YR LIMITED  
WARRANTY**

This product is warranted against defects in materials and workmanship under normal use for one year from the date of purchase to the original owner. Liability in all events is limited to the purchase price paid. Liability under this Warranty is limited to replacement or repair, at our option, of the product returned, shipping cost prepaid, to First Texas Products, L.L.C. Damage due to neglect, accidental damage or misuse of this product is not covered by the warranty.

According to FCC part 15.21 Changes or Modifications made to this device not expressly approved by the party responsible for compliance could void the users authority to operate this equipment.

Proof of purchase is required to make a claim under this warranty.

**NOTE TO CUSTOMERS OUTSIDE THE U.S.A.**

This warranty may vary in other countries, check with your distributor for details.

Warranty does not cover shipping costs.

**First Texas Products, L.L.C.**  
1465-H Henry Brennan  
El Paso, TX 79936  
800-413-4131

MPP Rev.2 020311

**OWNERS  
MANUAL**

**PINPOINTER**



**PinPointer**

*For Treasure Hunting  
and unearthing small  
objects*

After identifying the presence of a metal object in the ground, pinpointing its exact location, and separating it from the earth, can be frustrating and time consuming.

With the PinPointer, retrieving coins and other small metal objects is easy.

**Unearthing  
Small Objects**

A buried object, especially after the passage of time, can be indistinguishable from the soil it is buried in. In addition, historical objects will lose value if damaged in the unearthing process.

It is therefore recommended to use the PinPointer in a probing or sifting process. The tip of the PinPointer will detect a coin-sized metal object approximately 3/4" to 1" away from the tip of the probe. Probe the tip of the PinPointer directly into the ground; poke around directly on the surface in different areas until the internal buzzer activates. If the earth is loose enough, lift handfuls of soil out of the ground and probe in the palm of your hand with the PinPointer.

First Texas Products, L.L.C.

**1-YR LIMITED  
WARRANTY**

This product is warranted against defects in materials and workmanship under normal use for one year from the date of purchase to the original owner. Liability in all events is limited to the purchase price paid. Liability under this Warranty is limited to replacement or repair, at our option, of the product returned, shipping cost prepaid, to First Texas Products, L.L.C. Damage due to neglect, accidental damage or misuse of this product is not covered by the warranty.

According to FCC part 15.21 Changes or Modifications made to this device not expressly approved by the party responsible for compliance could void the users authority to operate this equipment.

Proof of purchase is required to make a claim under this warranty.

**NOTE TO CUSTOMERS OUTSIDE THE U.S.A.**

This warranty may vary in other countries, check with your distributor for details.

Warranty does not cover shipping costs.

**First Texas Products, L.L.C.**  
1465-H Henry Brennan  
El Paso, TX 79936  
800-413-4131

MPP Rev.2 020311

**OWNERS  
MANUAL**

**PINPOINTER**



**PinPointer**

*For Treasure Hunting  
and unearthing small  
objects*

After identifying the presence of a metal object in the ground, pinpointing its exact location, and separating it from the earth, can be frustrating and time consuming.

With the PinPointer, retrieving coins and other small metal objects is easy.

**Unearthing  
Small Objects**

A buried object, especially after the passage of time, can be indistinguishable from the soil it is buried in. In addition, historical objects will lose value if damaged in the unearthing process.

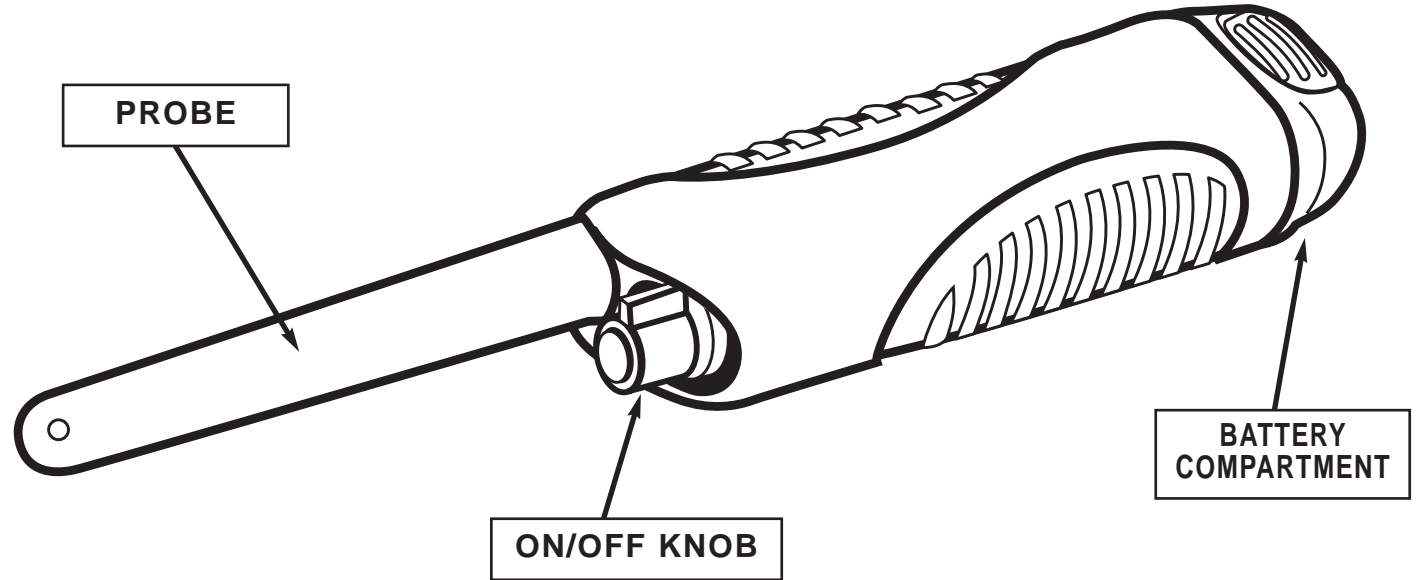
It is therefore recommended to use the PinPointer in a probing or sifting process. The tip of the PinPointer will detect a coin-sized metal object approximately 3/4" to 1" away from the tip of the probe. Probe the tip of the PinPointer directly into the ground; poke around directly on the surface in different areas until the internal buzzer activates. If the earth is loose enough, lift handfuls of soil out of the ground and probe in the palm of your hand with the PinPointer.

## Assembly

- No Assembly Required

## Operation

1. **Click On** by rotating the knob clockwise.
2. **Battery Check**  
The PinPointer will buzz immediately, indicating that the batteries are in good condition.  
If the buzzer does not sound after switching on, replace the single 9-volt battery.
3. **Rotate the knob** until the buzzer makes sound.
4. **Set the Sensitivity**
  - A. Starting with the knob in a position where the buzzer is making sound, **rotate knob back counterclockwise** to the point where the device is just silent.
  - B. You want to position the knob in the **most counterclockwise position at which the buzzer is still silent**. This threshold setting allows you to always set the device at maximum sensitivity.



## Assembly

- No Assembly Required

## Operation

1. **Click On** by rotating the knob clockwise.
2. **Battery Check**  
The PinPointer will buzz immediately, indicating that the batteries are in good condition.  
If the buzzer does not sound after switching on, replace the single 9-volt battery.
3. **Rotate the knob** until the buzzer makes sound.
4. **Set the Sensitivity**
  - A. Starting with the knob in a position where the buzzer is making sound, **rotate knob back counterclockwise** to the point where the device is just silent.
  - B. You want to position the knob in the **most counterclockwise position at which the buzzer is still silent**. This threshold setting allows you to always set the device at maximum sensitivity.

